

DATASHEET V1|2018

alara

1

alara

USE

The alara is a self-sufficient, solar-powered designer LED light. Its timeless design means that the alara is suitable for lighting modern urban areas, parks and waterside promenades as well as listed, protected areas. The alara is suitable for use in areas where there is no electricity supply, where it is not feasible to install an electricity supply and where an extremely secure supply even in poor light conditions is required. Due to the cubic aluminium construction with 4 photinus High Performance photovoltaic modules, sufficient energy can be generated in a targeted manner via the diffuse light component especially in regions with poor weather (snow, fog, etc.). The vertically arranged modules prevent snow from accumulating on it in winter. A sophisticated energy management system guarantees secure functionality over several nights even in poor weather conditions. The alara is best suited for side streets with little traffic, cycle routes and footpaths as well as car parks etc.

FUNCTION

The modular assembly concept means that the alara can be set up quickly and easily. So that various lighting situations can be reacted to, two LED light variants (square and path) are available. The specially developed energy management module calculates optimal LED controls as standard. The additionally integrated time management function enables the customer to choose from 3 settings.

2

TECHNICAL DATA

SOLARTOWER

Solar modules	monocrystalline silicon cells with exceptional efficiency specially processed by photonus
Efficiency	22%
Max. performance of the energy column Pmpp	150Wp / 4 solar modules - modules are also charged up in cloudy conditions.

BATTERY IN THE LIGHT POLE

Battery	LiFePO4 / 12V 36Ah
Operating temperature	- 20°C to + 60°C
Battery life	up to 10 years
Protection class	IPX8

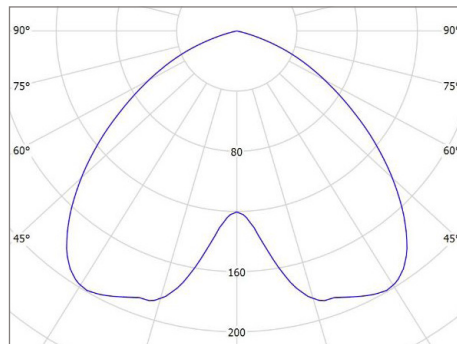
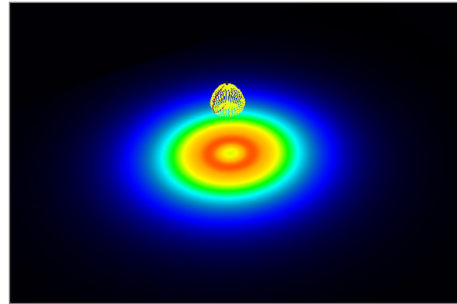
LIGHTS

Max. luminous flux	8000lm (Bregenz site, 47 degrees latitude: 1400lm/V5)
Efficiency	up to max. 180lm/W
LED module / max. watts	50W
Max. back-up time	Location: Normal Mode /Smart Mode 52 degrees latitude (Amsterdam): 9 days / 13 days 47 degrees latitude (Munich): 7 days / 10 days 40 degrees latitude (Madrid): 3 days / 5 days
Colour temperature	4000 K
Life of LED	> 100000 h
Protection class	IP65

OPTICS SELECTION

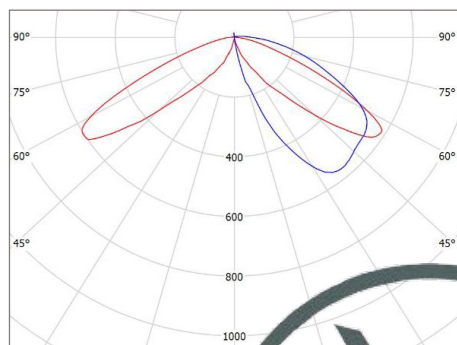
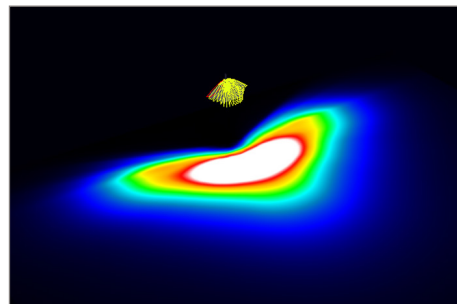
OPTIC „PLACE“

especially for places and parks



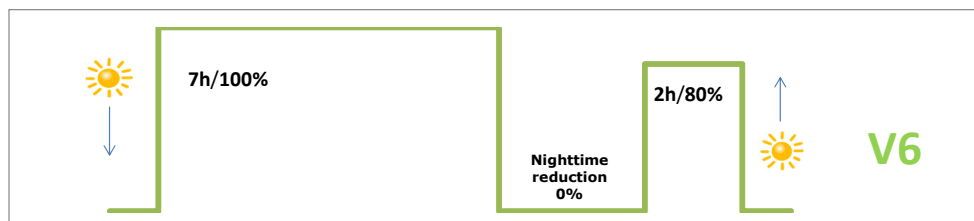
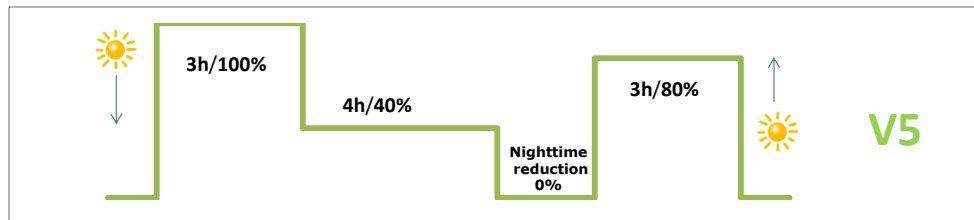
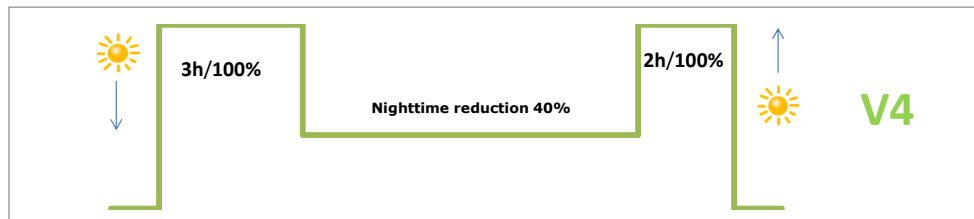
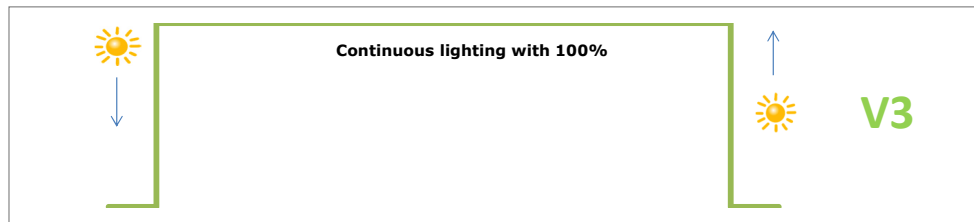
OPTIC „WAY“

especially for pathways and side streets



ENERGY AND TIME MANAGEMENT

Standard factory setting V5



DIMENSIONS

Total height from ground level	4440 mm
Height of light from ground level	3000 mm
Total length of pole	4000 mm
Length of pole in the ground assembled	1000 mm
Pole materials	galvanised and powder-coated steel „Sparkling iron effect dark“

DIMENSIONS AND WEIGHTS FOR SINGLE DISPATCH

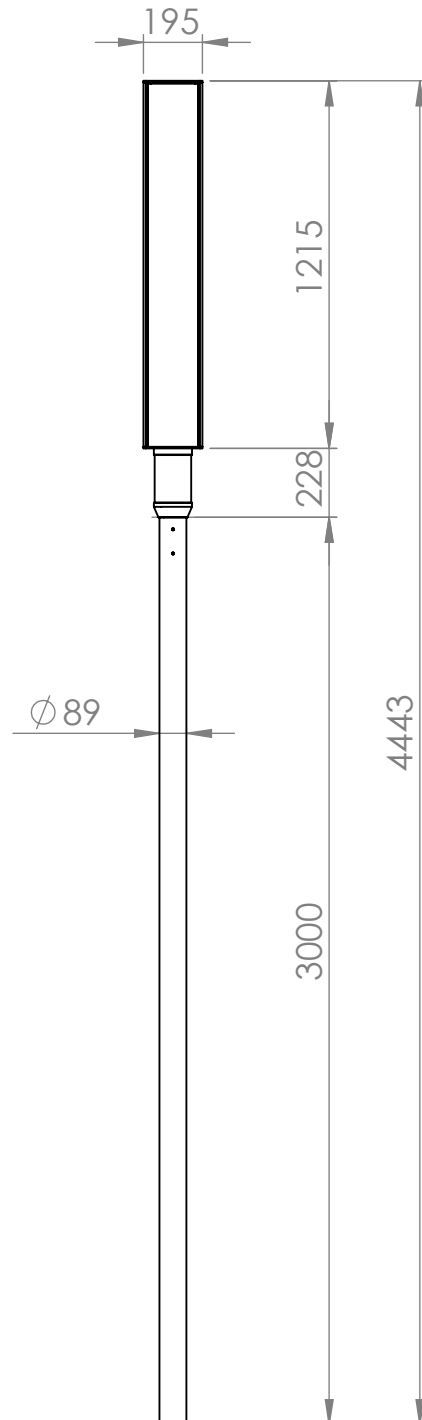
Solartower with light housing in box	1600 mm x 210 mm x 210 mm
Weight	18 kg
Battery	1000 mm x 150 mm x 150 mm
Weight	8 kg
Pole	4020 mm x 110 mm x 110 mm
Weight	28 kg

MAINTENANCE CYCLES | WARRANTY

Material warranty	5 years (incl. battery)
PV module warranty	2 years with 100% product guarantee
(The warranty period is deemed to start on the date of manufacture)	5 year warranty at 90% minimum output 10 year warranty at 80% minimum output

(technical changes reserved)

DIMENSIONS



3

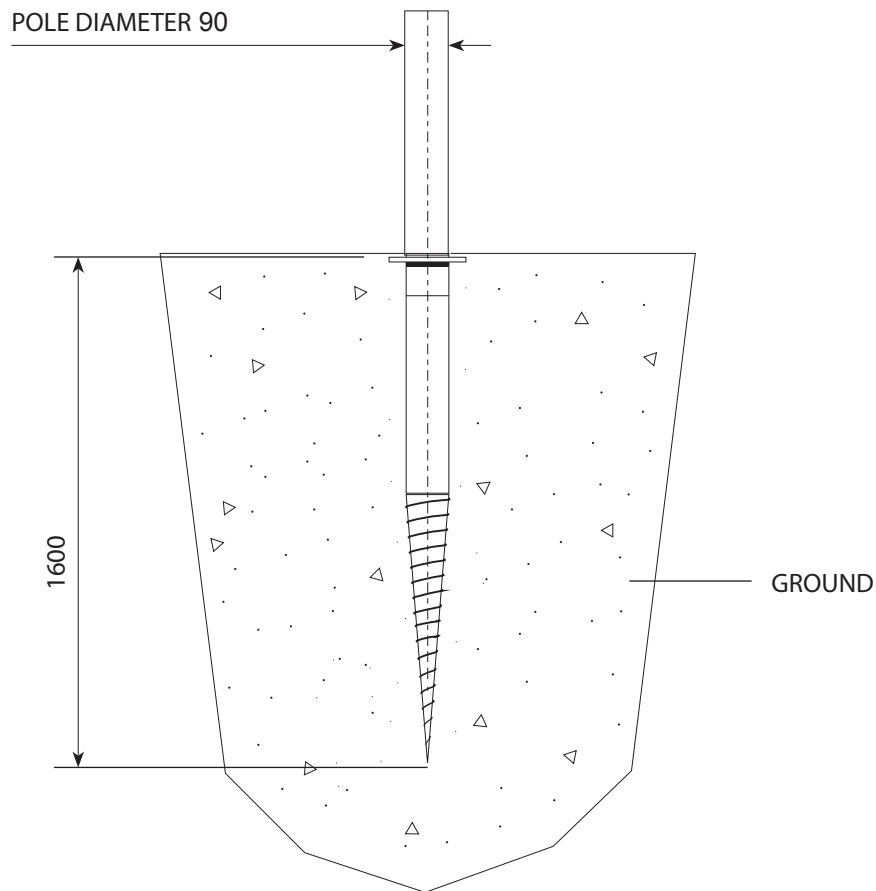
OPTIONS FOR ASSEMBLY

OPTION 1 - GROUND SCREW

KRINNER GROUND SCREW

Art. 26160: KSF E140x1600-E76-100

Art. 26813: Eccentric disk set - E90



OPTION 2 - PIPE FOUNDATION

